

DESIGNED & DIMENSIONED
IN MILLIMETERS

QEM8-XXX-XX.X-DV-XX

No OF POSITIONS
-020 (PER ROW)

No OF BANKS
-01 THRU -03

LEAD STYLE
*-02.0 = 2mm
-05.0 = 5mm

ROW SPECIFICATION
-DV: DOUBLE VERTICAL

*= NOT ENGINEERING APPROVED

DO NOT
SCALE FROM
THIS PRINT

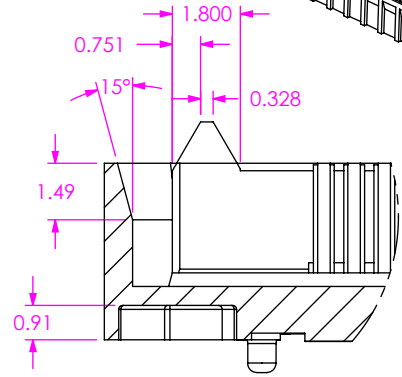
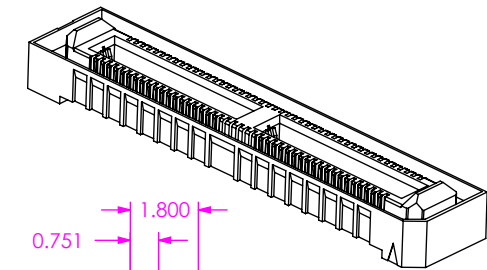
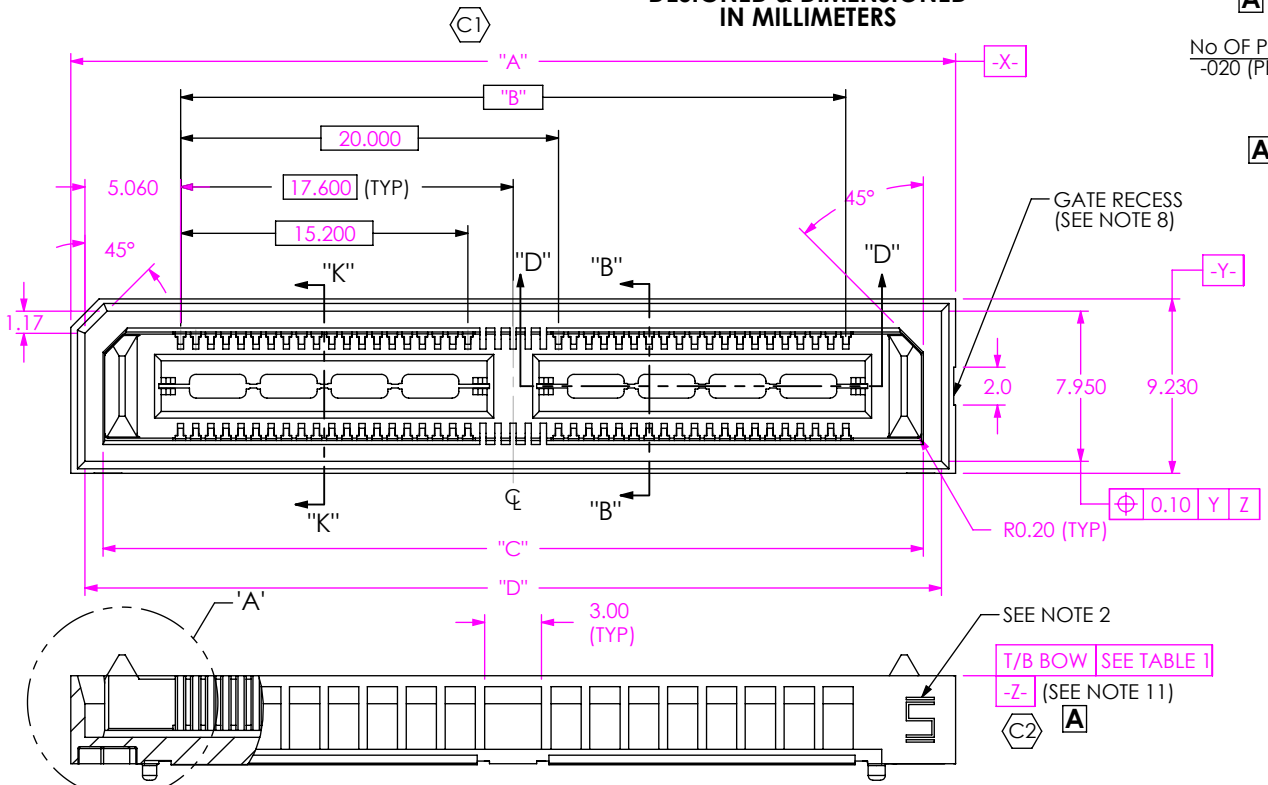
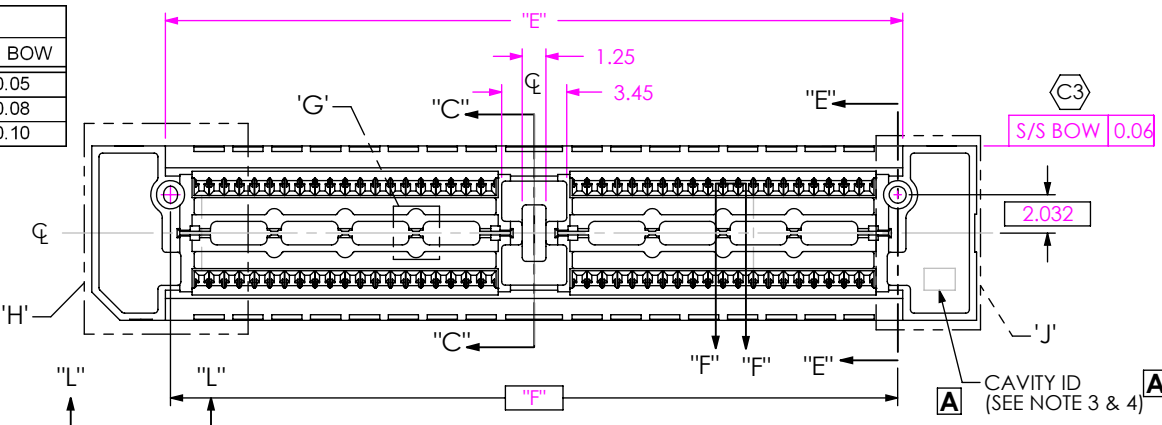


TABLE 1

No. OF BANKS	T/B BOW
-01	0.05
-02	0.08
-03	0.10



NOTES:

1. (C) REPRESENTS A CRITICAL DIMENSION.
2. SAMTEC LOGO SHALL APPEAR AT TWO EQUALLY SPACED LOCATIONS ON SURFACE SHOWN AND OPPOSITE SURFACE, APPROXIMATELY 0.80 X 1.1
3. ALL MULTIPLE CAVITY MOLDS SHALL IDENTIFY EACH CAVITY WITH A NUMBER DESIGNATION LOCATED WHERE SHOWN.
4. ALL IDENTIFICATION MARKS MUST NOT STAND GREATER THAN 0.05 OFF THE SURFACE OF THE PART.
5. MOLDED SURFACES SHALL BE CONSISTENT AND SMOOTH. SURFACES TO BE FREE OF SCATCHES, NICKS, SINK AREAS, VOIDS OR OTHER BLEMISHES.
6. ALL DRAFT MUST BE WITHIN SPECIFIED TOLERANCES.
7. ALL DIMENSIONS SYMMETRICAL ABOUT CENTERLINE WITHIN 0.05, UNLESS OTHERWISE SPECIFIED.
8. GATE PAD TO BE RECESSED 0.10
9. POSITION 1 INDICATOR TO BE RECESSED 0.10
10. NO DRAFT PERMISSIBLE ON THIS SURFACE.
11. T/B BOW TO BE MEASURED ON BOTH SIDES OF PART.
12. MEASURE AT THE FIRST AND LAST POSITION OF EACH BANK.

FIG.1
(QEM8-020-02.0-DV-02 SHOWN)

TABLE 2

No OF BANKS	"A"	"B"	"C"	"D"	"E"	"F"
-01	26.82 [1.056]	15.20 [0.598]	23.41 [0.922]	25.32 [0.997]	19.02 [0.749]	18.48 [0.728]
-02	46.82 [1.843]	35.20 [1.386]	43.41 [1.709]	45.32 [1.784]	39.02 [1.536]	38.48 [1.515]
-03	66.82 [2.631]	55.20 [2.173]	63.41 [2.496]	65.32 [2.572]	59.02 [2.324]	58.48 [2.302]

UNLESS OTHERWISE SPECIFIED,
DIMENSIONS ARE IN MILLIMETERS

TOLERANCES ARE:
DECIMALS ANGLES
X.X: ±0.3 2°
X.XX: ±0.08
X.XXX: ±0.050

PROPRIETARY NOTE
THIS DOCUMENT CONTAINS INFORMATION
CONFIDENTIAL AND PROPRIETARY TO
SAMTEC, INC. AND SHALL NOT BE REPRODUCED
OR TRANSFERRED TO OTHER DOCUMENTS OR
DISCLOSED TO OTHERS OR USED FOR ANY
PURPOSE OTHER THAN THAT WHICH IT WAS
OBTAINED WITHOUT THE EXPRESSED WRITTEN
CONSENT OF SAMTEC, INC.

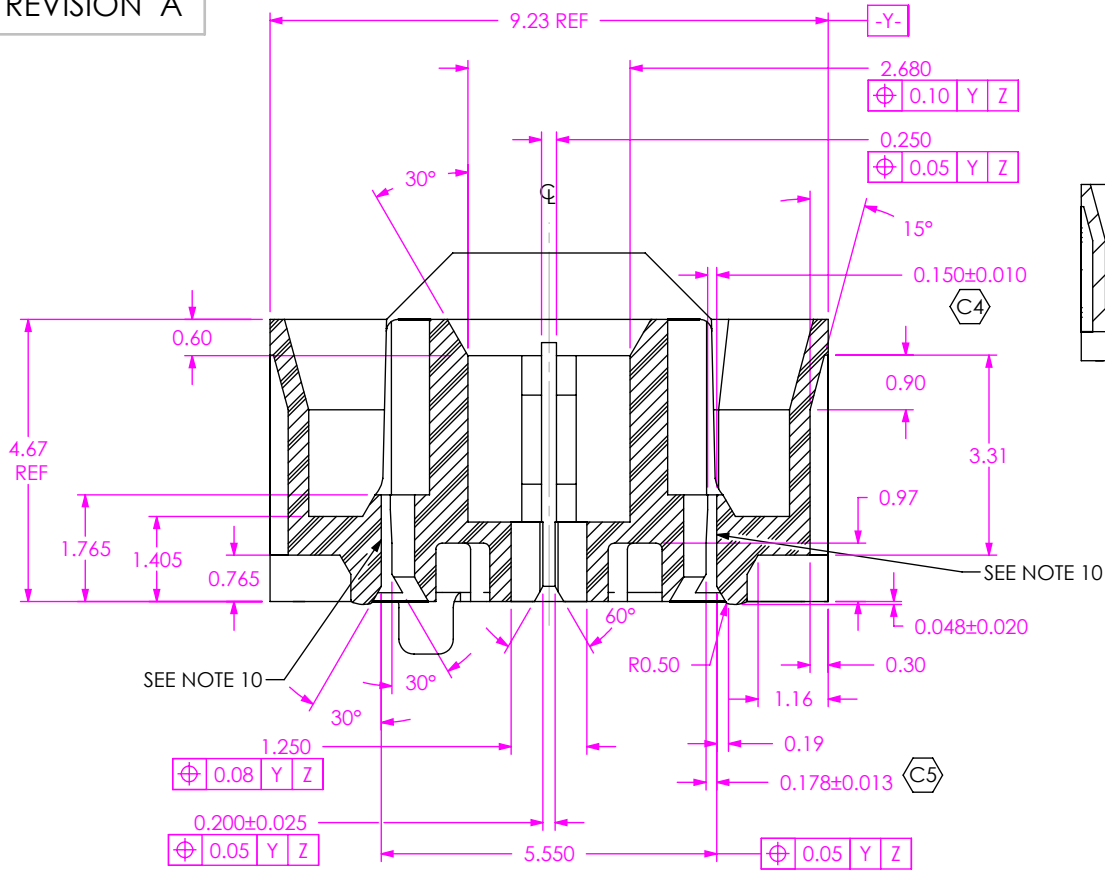


520 PARK EAST BLVD. NEW ALBANY, IN 47150
PHONE: 812-944-6733 FAX: 812-948-5047
e-Mail: info@SAMTEC.com code: 55322

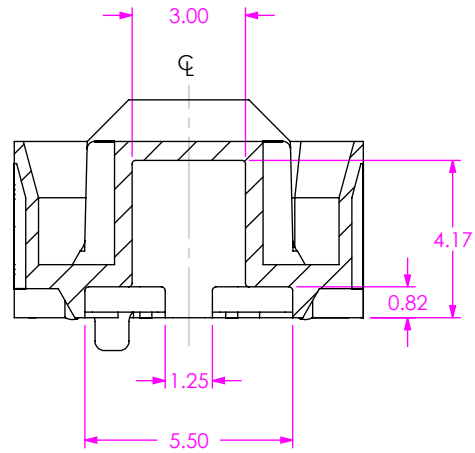
MATERIAL: DO NOT SCALE DRAWING
-02.0 SUMIKA SUPER E6007 LHF-MRB2
-05.0 VECTRA E130i COLOR: BLACK
MAX REGRIND: 50%
MAX FLASH ALLOWED: 0.08
MAX GATE VESTIGE: 0.08

F:\DWG\MISC\KMG\QEM8-XXX-XX.X-DV-XX-MKT.SLDDRW

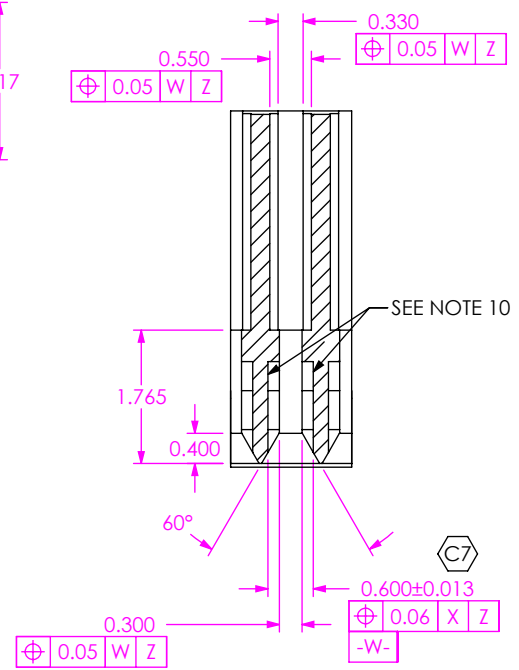
DESCRIPTION:
QEM8 BODY
DWG. NO. QEM8-XXX-XX.X-DV-XX
BY: CLAY W 9/11/2007 SHEET 1 OF 4



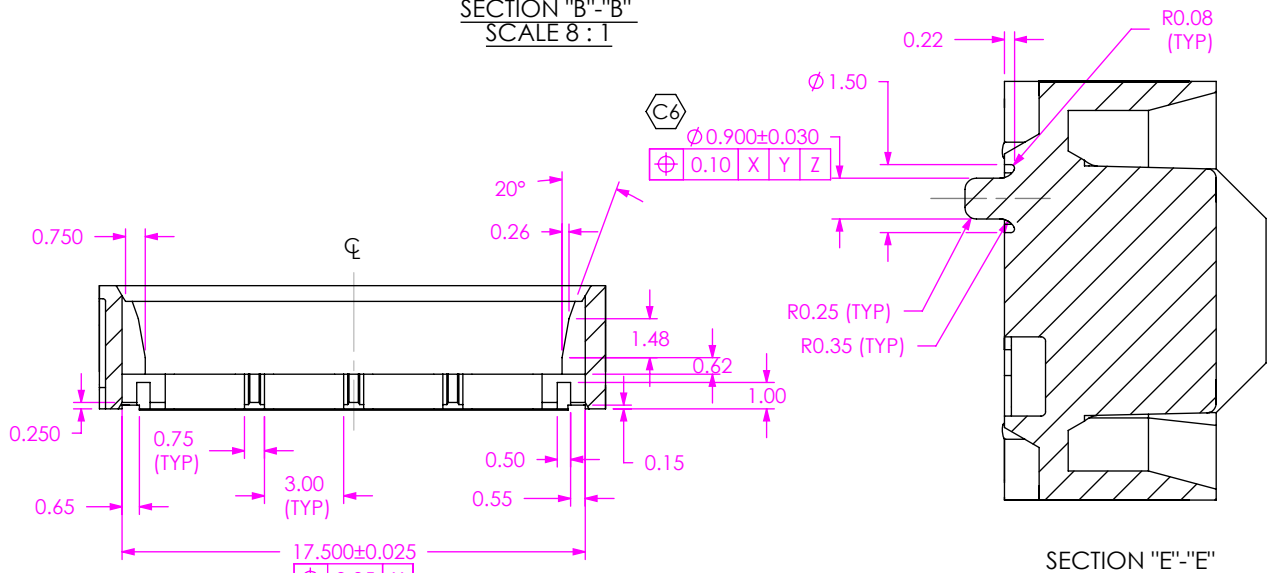
SECTION "B"-"B"
SCALE 8 : 1



SECTION "C"-"C"
SCALE 5 : 1



SECTION "F"-"F"
SCALE 10 : 1



SECTION "D"-"D"
SCALE 3.5 : 1

SECTION "E"-"E"
SCALE 6 : 1

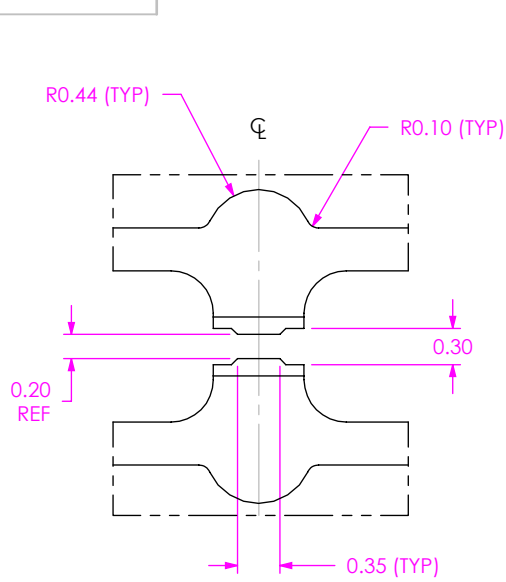
PROPRIETARY NOTE
THIS DOCUMENT CONTAINS INFORMATION CONFIDENTIAL AND PROPRIETARY TO SAMTEC, INC. AND SHALL NOT BE REPRODUCED OR TRANSFERRED TO OTHER DOCUMENTS OR DISCLOSED TO OTHERS OR USED FOR ANY PURPOSE OTHER THAN THAT WHICH IT WAS OBTAINED WITHOUT THE EXPRESSED WRITTEN CONSENT OF SAMTEC, INC.

DO NOT SCALE DRAWING
SHEET SCALE: 2:1

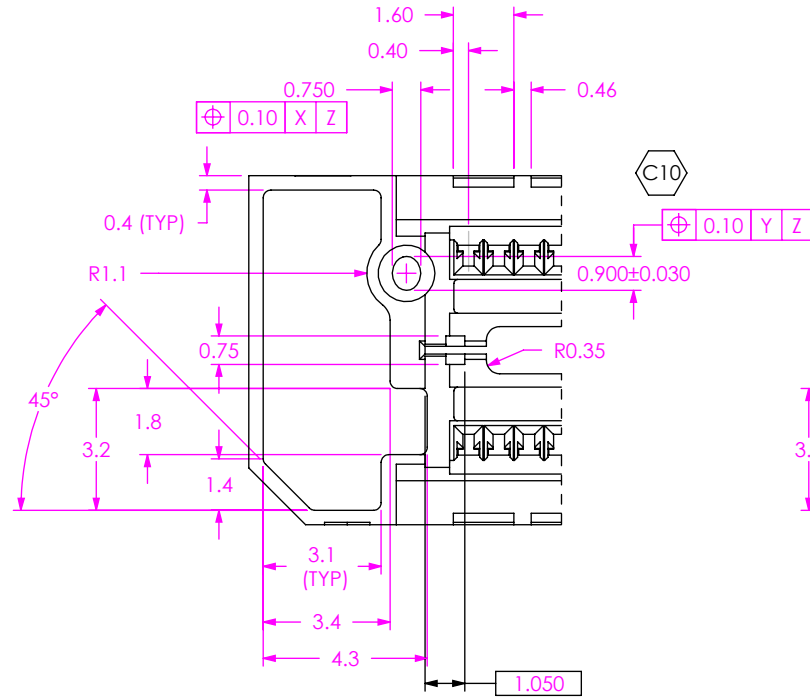


520 PARK EAST BLVD, NEW ALBANY, IN 47150
PHONE: 812-944-6733 FAX: 812-948-5047
e-Mail: info@SAMTEC.com code: 55322

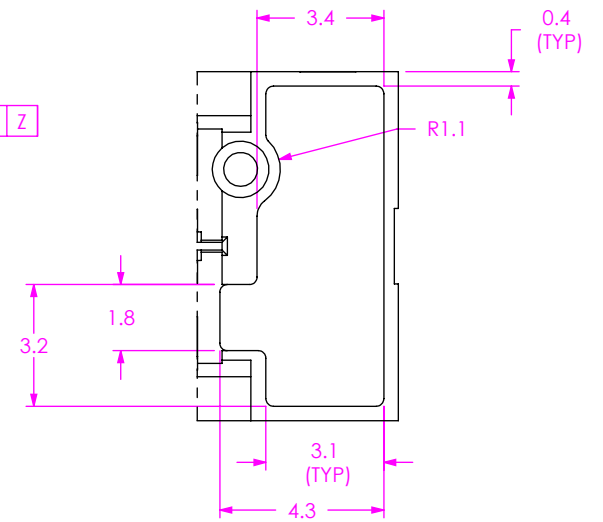
DESCRIPTION:	QEM8 BODY	
DWG. NO.	QEM8-XXX-XX.X-DV-XX	
BY:	CLAY W	9/11/2007
		SHEET 2 OF 4



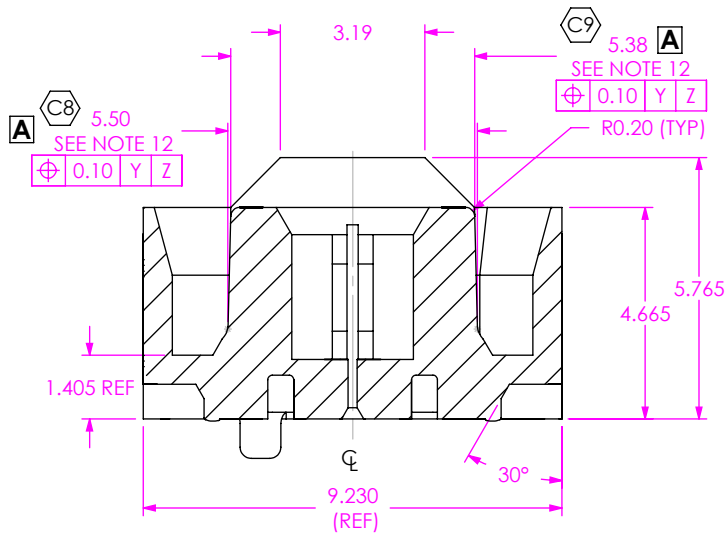
DETAIL 'G'
SCALE 16:1



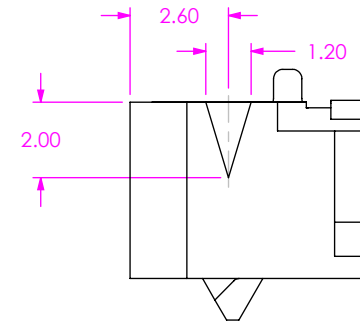
DETAIL 'H'
SCALE 5:1



DETAIL 'J'
SCALE 5:1



SECTION "K"-"K"
SCALE 6:1



SECTION "L"-"L"
SCALE 5:1

PROPRIETARY NOTE
THIS DOCUMENT CONTAINS INFORMATION
CONFIDENTIAL AND PROPRIETARY TO
SAMTEC, INC. AND SHALL NOT BE REPRODUCED
OR TRANSFERRED TO OTHER DOCUMENTS OR
DISCLOSED TO OTHERS OR USED FOR ANY
PURPOSE OTHER THAN THAT WHICH IT WAS
OBTAINED WITHOUT THE EXPRESSED WRITTEN
CONSENT OF SAMTEC, INC.

DO NOT SCALE DRAWING

SHEET SCALE: 2:1

samtec

520 PARK EAST BLVD, NEW ALBANY, IN 47150
PHONE: 812-944-6733 FAX: 812-948-5047
e-Mail: info@SAMTEC.com code: 55322

DESCRIPTION:

QEM8 BODY

DWG. NO.

QEM8-XXX-XX.X-DV-XX

BY: CLAY W 9/11/2007

SHEET 3 OF 4

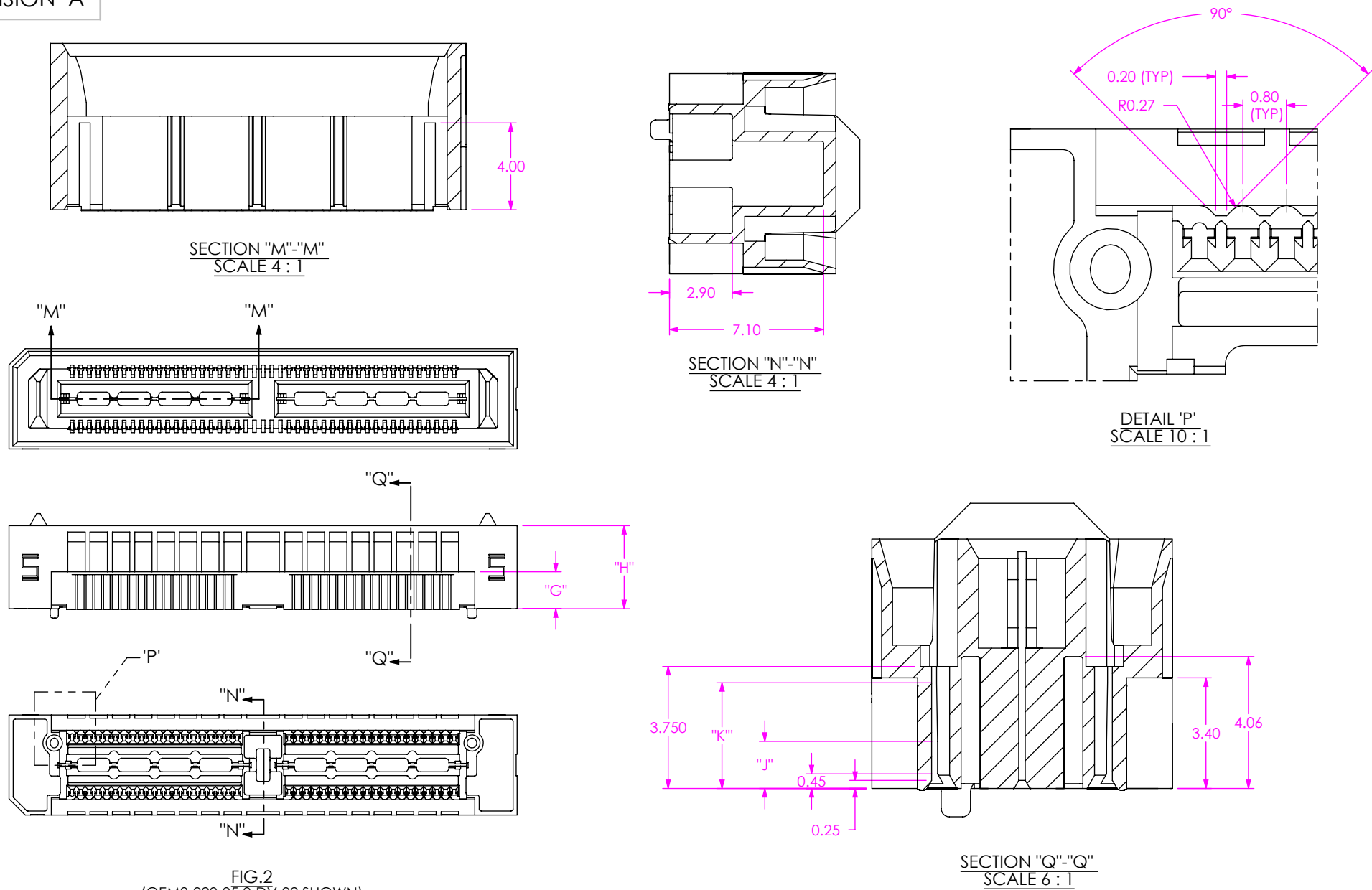


FIG.2
(QEM8-020-05.0-DV-02 SHOWN)
(SAME AS FIG 1 EXCEPT AS SHOWN)

TABLE 3				
LEAD STYLE	"G"	"H"	"J"	"K"
-02.0	N/A N/A	4.67 [0.184]	0.97 [0.038]	1.52 [0.060]
-05.0	3.40 [0.134]	7.67 [0.302]	1.45 [0.057]	3.25 [0.128]

F:\DWG\MISC\MKTG\QEM8-XXX-XX.X-DV-XX-MKT.SLDDRW

PROPRIETARY NOTE
THIS DOCUMENT CONTAINS INFORMATION CONFIDENTIAL AND PROPRIETARY TO SAMTEC, INC. AND SHALL NOT BE REPRODUCED OR TRANSFERRED TO OTHER DOCUMENTS OR DISCLOSED TO OTHERS OR USED FOR ANY PURPOSE OTHER THAN THAT WHICH IT WAS OBTAINED WITHOUT THE EXPRESSED WRITTEN CONSENT OF SAMTEC, INC.

DO NOT SCALE DRAWING

SHEET SCALE: 2:1

samtec
520 PARK EAST BLVD, NEW ALBANY, IN 47150
PHONE: 812-944-6733 FAX: 812-948-5047
e-Mail: info@SAMTEC.com code: 55322

DESCRIPTION:
QEM8 BODY

DWG. NO.
QEM8-XXX-XX.X-DV-XX

BY: CLAY W 9/11/2007 SHEET 4 OF 4